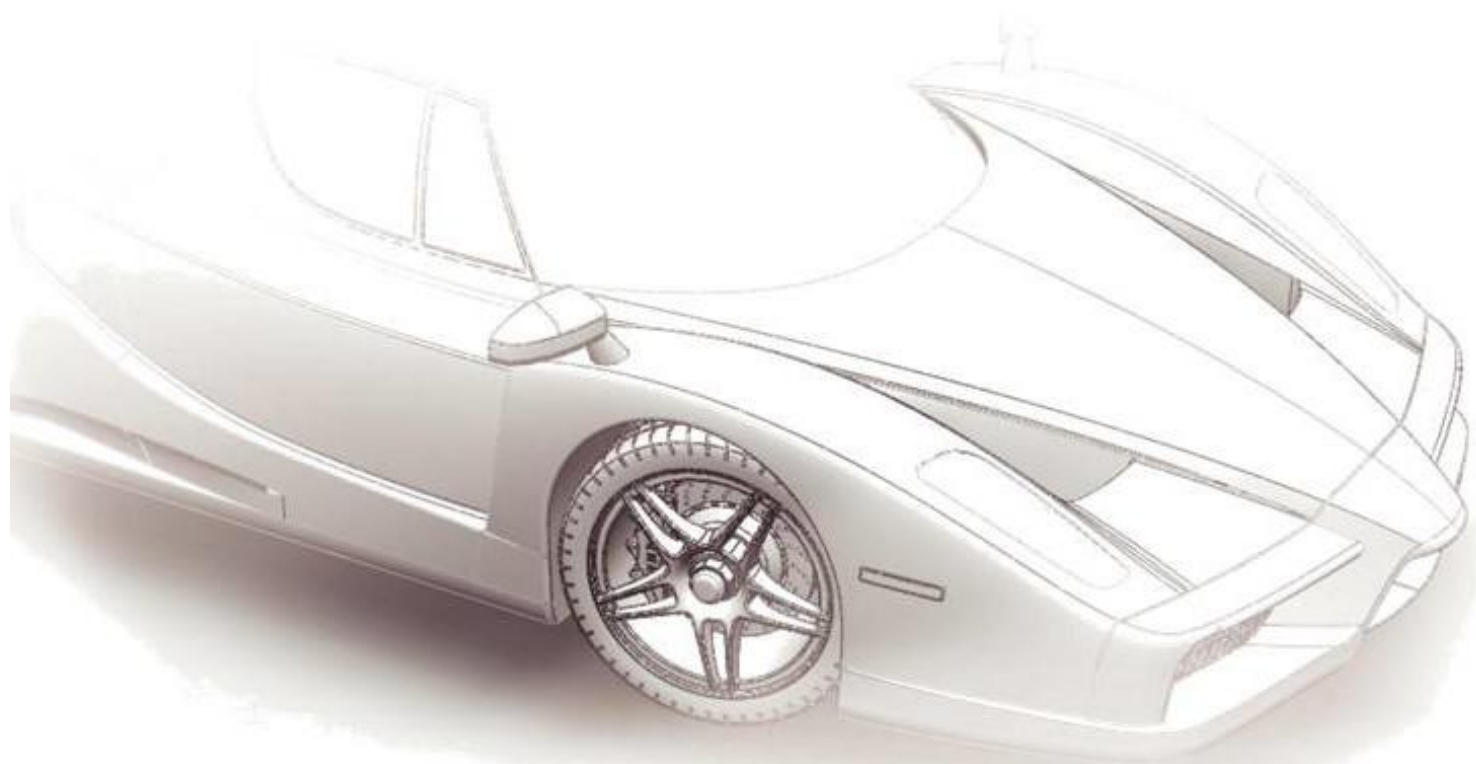




HERISH

青岛吉瑞森

QINGDAO CHERISH



青岛吉瑞森智能装备有限公司

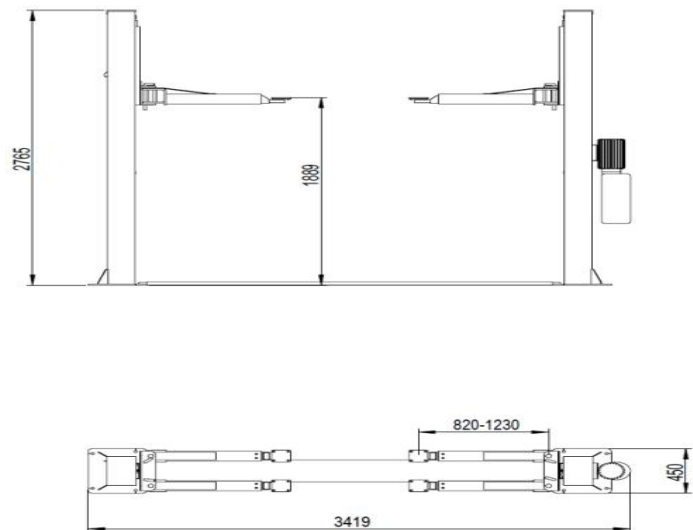
QINGDAO CHERISH INTELLIGENT EQUIPMENT CO.,LTD

中国·青岛

Two Post Double-Cylinder Floor Plate Hydraulic Lift

Feature :

- Two post double-cylinder floor plate hydraulic lift have the advantage of performance stably, rise and drop smoothly with low noise .
- Reasonable and economic design, can be used in low ceiling shop.
- Low cable cover plate design, convenient to driving in and out.
- Dual-cylinder lifting system, more stable and faster.
- Cable-equalization system.
- Chain-driven system, faster lifting speed.
- Single or double lock release system, Safe and reliable.
- Wear-resistant nylon plate, prolong the life of slide block.
- Mold machining through the whole process so that the parts are universal and interchangeable.
- Automatic Arm lock release.
- Pass 120% capacity Dynamic load test and 150% static load test.
- Italian oil seal to make sure no oil leakage.
- Optional Manual pump on power unit in case of power off.

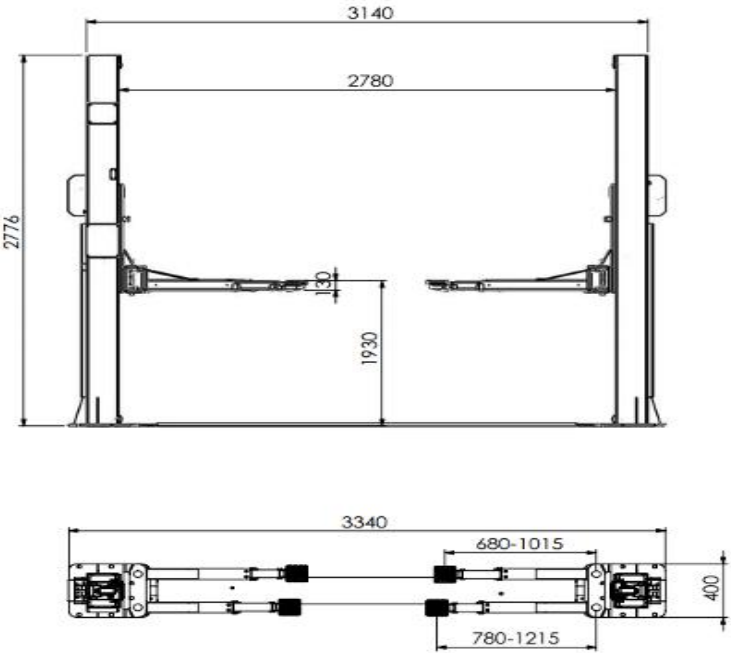


Model No.	Lifting Capacity	Lifting Height	Overall Height	Width Between Posts	Rise/Drop Time	Power
CHTL3200	3200kgs/7000lbs	1889mm	2765mm	2685mm	45S/40S	2.2KW
CHTL4200	4200kgs/9000lbs	1889mm	2765mm	2690mm	45S/40S	2.2KW

Two Post Double-cylinder, Single Point Electric Lock Release Floor plate Hydraulic Lift

Feature:

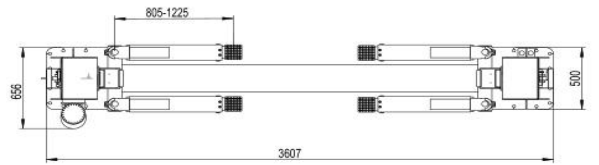
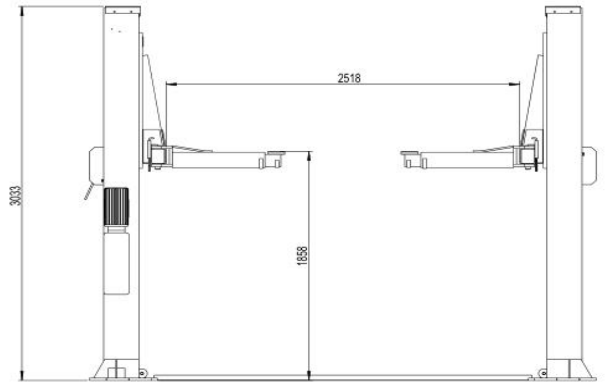
- Reasonable and economic design, can be used in low ceiling shop.
- Low cable cover plate design, convenient to driving in and out.
- Dual-cylinder lifting system, more stable and faster.
- Cable-equalization system.
- Chain-driven system, faster lifting speed.
- Single electric lock release system, Safe and reliable.
- Adopt high wear-resistant nylon plate, prolong the life of slide block.
- Mold machining through the whole process so that the parts are universal and interchangeable.
- Automatic Arm lock release.
- Pass 120%capacity Dynamic load text and 150%static load test.
- Italian oil seal to make sure no oil leakage.
- Solenoidvalvehas the urgent manual lock release function.
- Optional Manual pump on power unit in case of power off.
- Optional 24V Control box, solenoidvalveandelectromagnet.



Model No.	Lifting Capacity	Lifting Height	Overall Height	Width Between Posts	Rise/Drop Time	Power
CHTL3700E	3700kgs/8000lbs	1930mm	2776mm	2780mm	45S/40S	2.2kw

Two post Clear Floor Hydraulic Lift

- Feature**
- No cover plate design, convenient for repairing and operation.
 - Dual-cylinder lifting system, more stable and faster.
 - Cable-equalization system.
 - Single lock release system, Safe and reliable.
 - Adopt high wear-resistant nylon plate, prolong the life of slide block.
 - Mold machining through the whole process so that the parts are universal and interchangeable.
 - Automatic Arm lock release.
 - Automatic lifting height limitation.
 - 120% capacity Dynamic load test and 150% static load test.
 - Italian oil seal to make sure no oil leakage.
 - Optional Manual pump on power unit in case of power off.

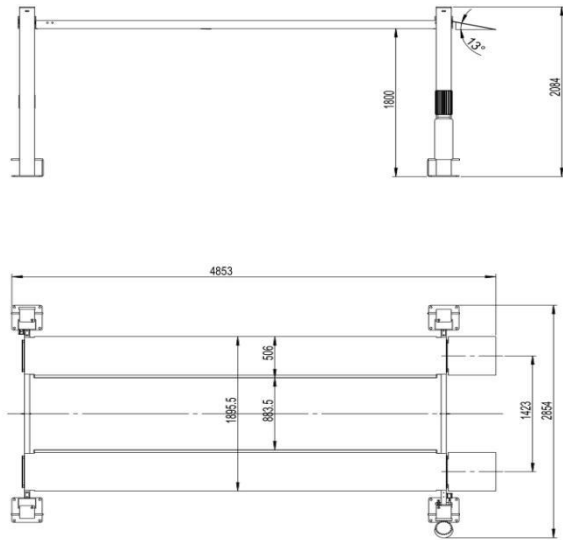


Model No.	Lifting Capacity	Lifting Height	Overall Height	Width Between Posts	Rise/Drop Time	Power
CHTL5500	5500kgs/12000lbs	1858mm	3033mm	2518mm	75S/70s	2.2kw
CHTL6300	6300kgs/14000lbs	1858mm	3033mm	2518mm	75S/70s	2.2kw

Four Post Parking Lift

Feature:

- Good choice for parking and simple repair.
- Hydraulic driven,cable lifting system.
- Manual or electric single point release.
- Automatic lock system ensure safety in different heights.
- Maintenance free load bearing
- Immovable runway.
- Sop blocks in all posts for added safety.
- Movable drip trays keep pollution of vehicle on floor.
- Mold machining through the whole process so that the parts are universal and interchangeable.
- 120%capacity Dynamic load test and 150%static load test.
- Italian oil seal to make sure no oil leakage.
- Electromagnetic valve with urgent manual drop function.
- Optional Manual pump for lock release in case of power off.
- Optional 24V Control box and Electromagnetic valve.

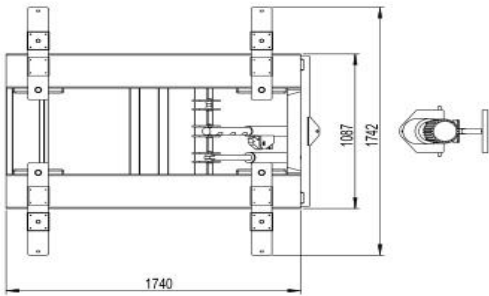


Model No.	Lifting Capacity	Lifting Height	Width Between Posts	Width Between Runways	Out Dimensions/ L*W*H	Rise/Dr op Time	Power
CHFL3700(E)	3700kgs/8000lbs	1800mm	1895.5mm	883.5mm	5130*2664*2084mm	60/90S	2.2kw

Portable Scissor lift

Feature:

- No need to install, movable for use.
- Manual release, use simply.
- Used for fast repair, such as fast repair for tires, change engine oil and so on.
- Adjustable rubber pads position.
- Hardwired platform, ensure synchronization.
- Mold machining through the whole process so that the parts are universal and interchangeable.
- 120% capacity Dynamic load test and 150% static load test.
- Italian oil seal to make sure no oil leakage.



Model No.	Lifting Capacity	Lifting Height	Minimum Height	Rise/Drop Time	Power
CHSL2700	2700kgs/6000lbs	1200mm	130mm	25s	2.2Kw