
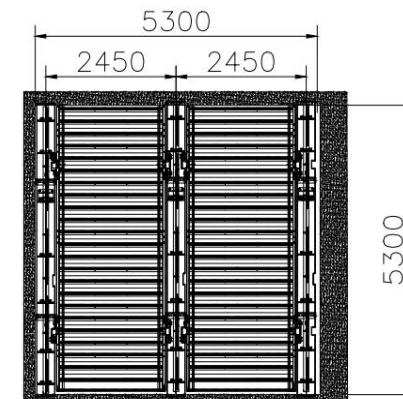
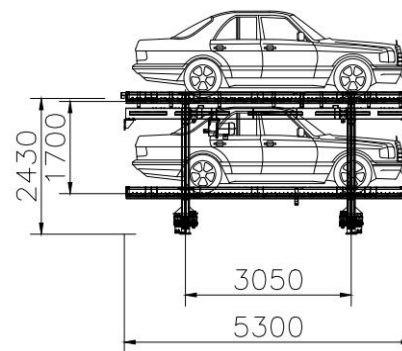
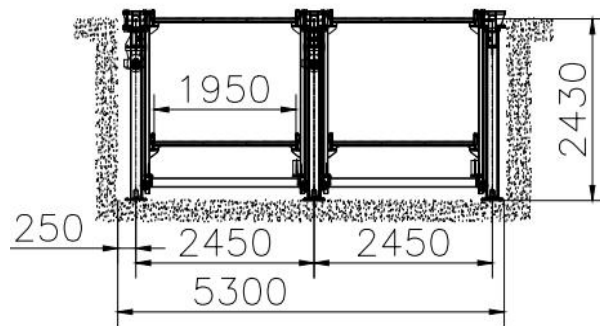


## Quotation for car parking lift

Product Specification :	Unit Price	Quantity (Sets)	Total Amount	Picture
	FOB Qingdao		FOB Qingdao	
MODEL NO.: PJS205	<b>US\$5,350.00</b>	<b>64</b>	<b>US\$342,400.00</b>	
Lifting Capacity: 2500kgs				
Floor Height: 1700mm				
Carrying board: Hot galvanized Wave plate				
Driving method: Reducer motor + chain				
Parking method: Upper Floor: reverse/forward in Lower floor: reverse/forward in				
Motor: 2.2KW; Warranty: 10 years;				
Power: 380V, 50Hz, 3 phase (can be customized)				
Control voltage: AC24V				
Lifting chain: 20A-2, Balancing chain: 16A-1				
Speed: 2-3m/min				
Pick up method: Key + button				
<b>Spray painting finish.</b>				
Suitable cars: Sedan or SUV, 5000*1800*1650mm				
<b>With Photoelectric sensor</b>				



---

**Remark:**

1. Quotation Date: **Aug. 22nd, 2019**, this quotation is **valid for 20 days**;
  2. Delivery: Within 45 days after prepayment.
  3. Payment Term: 50% prepayment by T/T, The balance before delivery against of the products pictures.
  4. Quality Warranty: Frame structure :10 years, Motor , Cylinder, Chain: 3 years, electrical parts:1 year
- 

**Features:**

1. Anti-falling safety hook design;
  2. Electric Release+ 24V Electric Control;
  3. Lifting Mode: Motor+chain,With Chain balancing system.
  4. Power unit: 2.2KW copper core motor, low resistance and long service life, aluminium shell;
  5. With front & rear Photoelectric detection;Vehicle over-length detection, Limit switch
  6. Laser cutting material, for high machining accuracy;
  7. Specification is customized according to requirement;
- 

