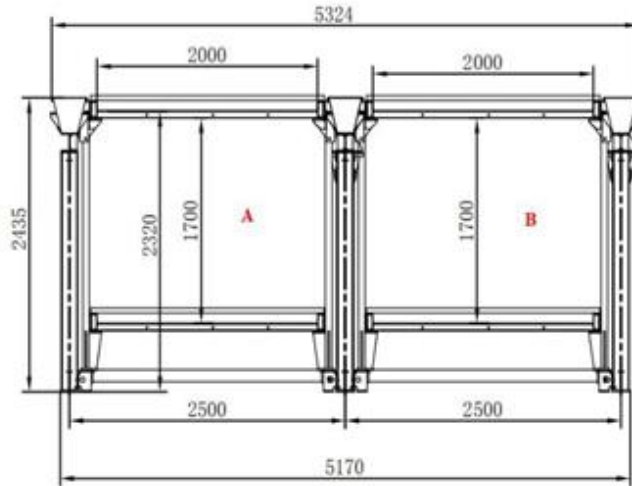


JIANGSU QIANYI INDUSTRIAL CO.,LTD

Address: No.66 Tangqiao road,High-Tech Zone, Jianhu County,Jiangsu province, China
Ms.Wendy Wei Whatsapp:+86-13921856948 wendywei2015@163.com

< Pit Car Parking Lift-Motor+Chain type >



1. Model: PJS2D-B

Feature: The machine uses the motor drive and roller chain

● Model Parameter:

Pit Car Parking Lift	
Technical Parameter	Model: PJS2D-B
1. Lifting capacity	2500kgs*2
2. Lifting height	2100mm
3. Overall height	2810mm
4. Release mode	Electric unlock
5. Moving mode	Both Motor and Lift Movable
6. Operation mode	Automatic(push button)/PLC control
7. Rise/Drip time	50s/40s
8. Power capacity	5.5kw

JIANGSU QIANYI INDUSTRIAL CO.,LTD

Address: No.66 Tangqiao road,High-Tech Zone, Jianhu County,Jiangsu province, China
Ms.Wendy Wei Whatsapp:+86-13921856948 wendywei2015@163.com

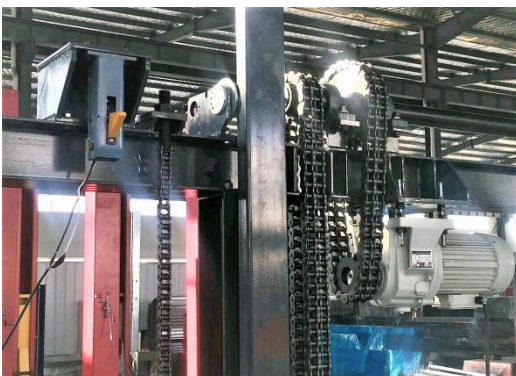
9. Warranty	2 year for electric components
	5 years for construction and steel parts
FOB (QINGDAO)	Unit A EUR3930/set Unit B EUR4130/Set Quantity: 70sets (140 spaces for 140 cars)

Producing Flow:



Detail Picture

Motor



Limit Switch



JIANGSU QIANYI INDUSTRIAL CO.,LTD

Address: No.66 Tangqiao road,High-Tech Zone, Jianhu County,Jiangsu province, China
Ms.Wendy Wei Whatsapp:+86-13921856948 wendywei2015@163.com

Lift bottom



Control box electric



Install ready



Chain structure



Package & Delivery

In iron frame package



JIANGSU QIANYI INDUSTRIAL CO.,LTD

Address: No.66 Tangqiao road,High-Tech Zone, Jianhu County,Jiangsu province, China
Ms.Wendy Wei Whatsapp:+86-13921856948 wendywei2015@163.com

in wooden package



● Production Feature

1. Post height:2.5m lift capacity 2000kg.
2. Underfloor lift height1800mm,
standard driving through 2100mm,
with car overlong test ,and anti-fall
protect device .
3. Overall size: 5400mm*2850*2500mm.
4. Underfloor car can
keep from rain ,and
snow ,onground car
can drive freely
without any
obstruction .
5. CE Certification , PLC control system
,voltage in 380v, foundation should
following factory required .
6. Motor in 2.2kw/3.0kw , lift by chain and reducer.
7. Lift speed 40s/drop speed 30s.
8. Powder coating surface treatment
9. Space height required **3.6m**.

JIANGSU QIANYI INDUSTRIAL CO.,LTD

Address: No.66 Tangqiao road,High-Tech Zone, Jianhu County,Jiangsu province, China
Ms.Wendy Wei Whatsapp:+86-13921856948 wendywei2015@163.com

PRODUCTION PROCESS



1 Laser Cutting



2 Shearing



3 Bending



4 Plasma Cutting



8 Powder Coating



7 Polishing



6 Welding



5 Machining



9 Assembly and Testing



10 Package



11 Shipment

PS:

1. Offer Valid 15days
2. Attached drawings ,also can do customized according to buyer' s request .
3. Warranty: Main body frame guarantee 5 years, cylinder and motor guarantee 2 years
4. Payment : T/T 30% deposit in advance , 70% should be transited before shipment
5. Quantity of container: 4Sets/20GP, 8Sets/40GP
6. Other quality Service: Completed after sale service , and special rebate, technical support , Wholesale and Exclusive agent

Thanks for your attention in advance , hope our information will help you !

JIANGSU QIANYI INDUSTRIAL CO.,LTD

Address: No.66 Tangqiao road,High-Tech Zone, Jianhu
County,Jiangsu province, China

Ms.Wendy Wei Whatsapp:+86-13921856948
wendywei2015@163.com
